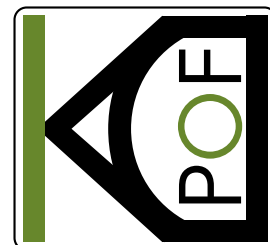


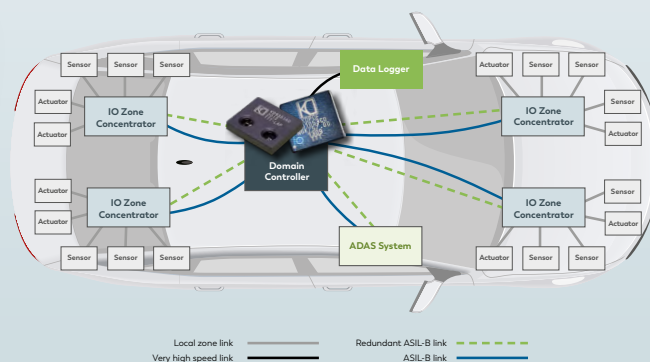
Gigabit Ethernet over POF Automotive Evaluation Kit



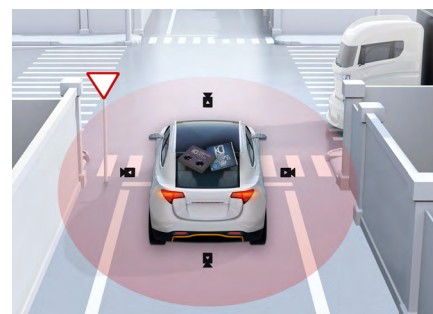
**Special Offer:
Evaluation Kit
EVK9351AUT
10 percent off**

Order to sales@kdpof.com
with "ELIV-Special", valid only
until 31 October 2021

Stand 38, 20 to 21 October
2021 in Bonn, Germany



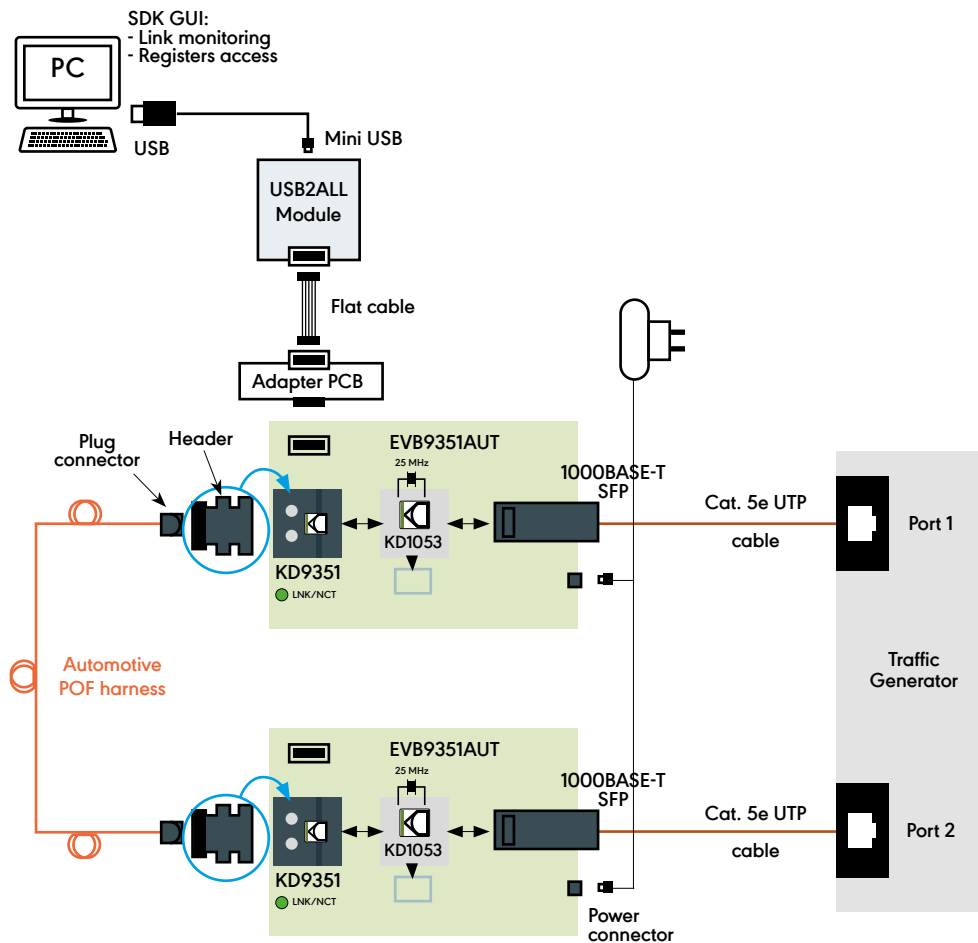
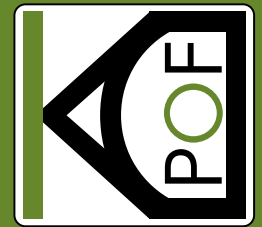
The extensive evaluation kit EVK9351AUT equips OEMs, Tier1s, and test houses to fully evaluate the KDPof automotive optical port compliant with 1000BASE-RHC based on the KD9351 and KD1053 ICs. The kit is self-contained including all the needed components to establish 100 and 1,000 Mb/s links over Plastic Optical Fiber (POF). Versatile, auto-grade, SFP-POF electronic boards allow for lab measurements in extreme operating temperature, radiation and voltage supply corners. The KD9351 FOT, in combination with the KD1053 IC, cuts the cost for 1 Gb/s optical connectivity by 30 percent, providing competitive pricing for EMC critical or galvanic isolated critical links. Applications include safe Ethernet backbones and sensor links for advanced driver assist systems (ADAS).



contact:
sales@kdpof.com

Gigabit Ethernet over POF

Automotive Evaluation Kit



Content

- 2 EVB9351AUT evaluation boards
- 2 1000BASE-T SFP modules
- 1 USB2ALL monitoring box
- 1 Optical harness
- 2 Cat. 5e UTP cables
- User and design documentation
- 2 Evaluation board metal enclosures (optional)
- 2 100BASE-TX SFP modules (optional)
- 2 Direct-attach passive SFP twinax cables (optional)

Operating range: -40° C to +105° C
Power supply: +12 V battery
Target usage: Automotive environment

Key components suppliers:
PHY: KDPOF
Fiber Optical Transceiver (FOT): KDPOF
Header/In-liner and Harness: consult on options available

More information on KD9351 and KD1053: kdpof.com/automotive/

KDPOF
sales@kdpof.com | +34 918043387 | www.kdpof.com
Knowledge Development for POF, S.L. | Ronda de Poniente, 14 2° C-D | 28760 Tres Cantos, Madrid, Spain

© KDPOF. Specifications can be changed without notice.