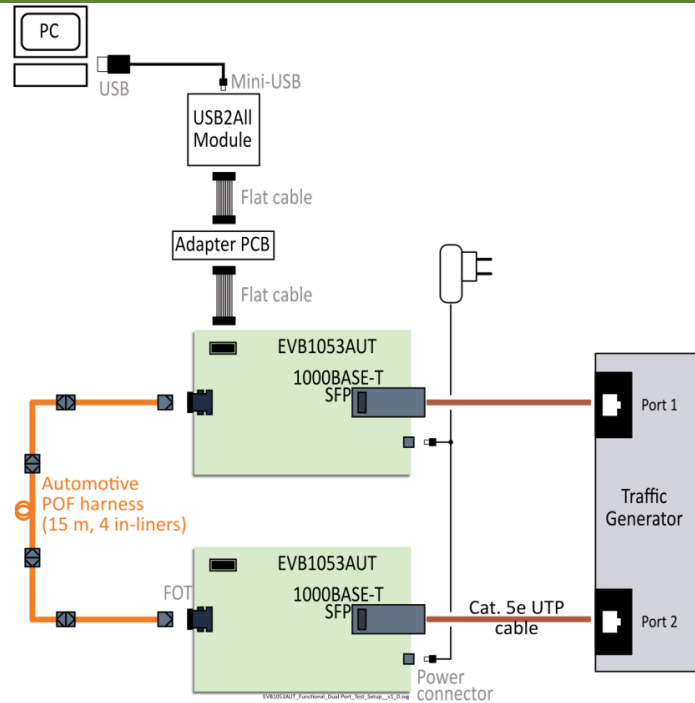


# Automotive Eval-Kit

## Gigabit Ethernet over POF



### Description

The GEPOF Automotive kit is targeted for OEM and Tier supplier technology evaluation. The kit is self-contained including all the needed components to establish 100 and 1000 Mbps links over POF. Versatile, auto-grade, SFP-POF electronic boards allow for Lab measurements in extreme operating temperature, radiation and voltage supply corners.

### Contents:

- 2 SFP-POF media converter boards
- 15 meters/4 in-line connectors POF harness or 40 meters/0 in-line connectors POF harness
- 1000BASE-T SFP modules/UTP & SFP twinax cables
- USB2ALL POF link monitoring tool with SDK software
- User manual

**Operating range:** -40 °C to +105 °C

**Power supply:** +12 V battery

**Target usage:** Automotive environment

Key components suppliers:

- **PHY:** KDPOF
- **Header/In-liner and Harness:** Yazaki
- **Optical Transceiver:** Yazaki

For more information:

[marketing@kdpof.com](mailto:marketing@kdpof.com)

